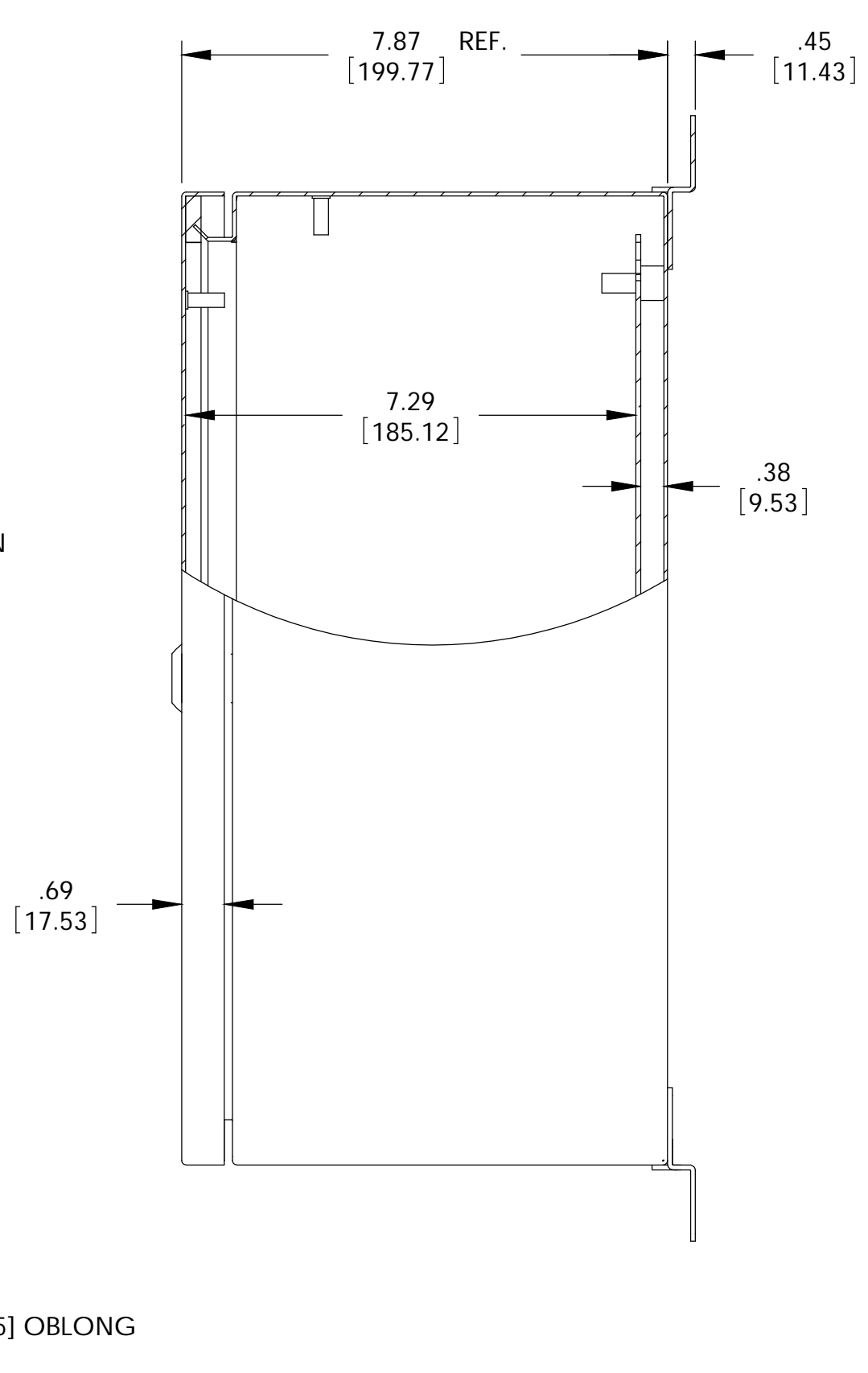
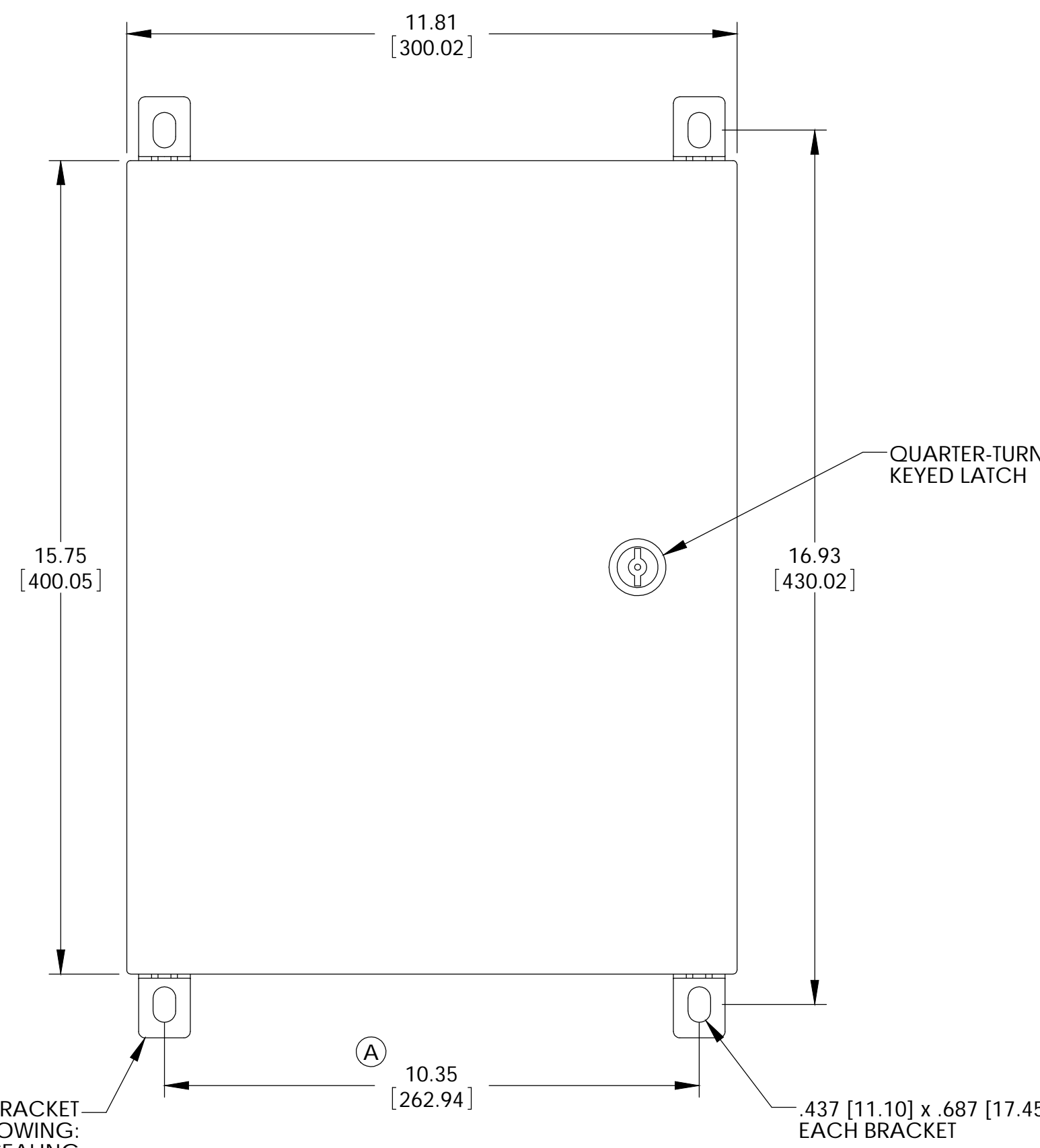


THE INFORMATION CONTAINED IN THIS DRAWING IS THE SOLE PROPERTY OF BUD INDUSTRIES INC. ANY REPRODUCTION IN PART OR WHOLE WITHOUT THE WRITTEN PERMISSION OF BUD INDUSTRIES INC. IS PROHIBITED.

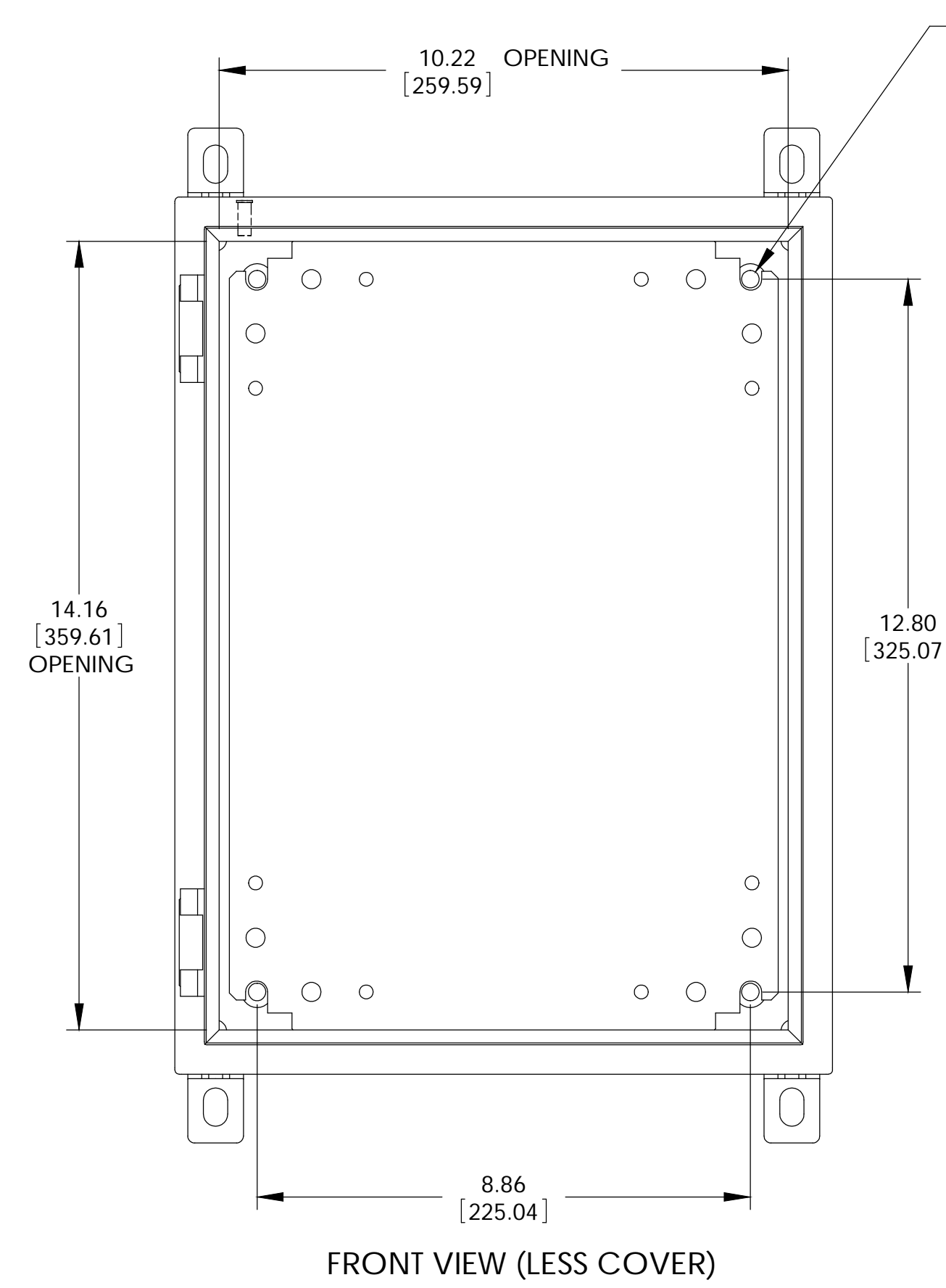
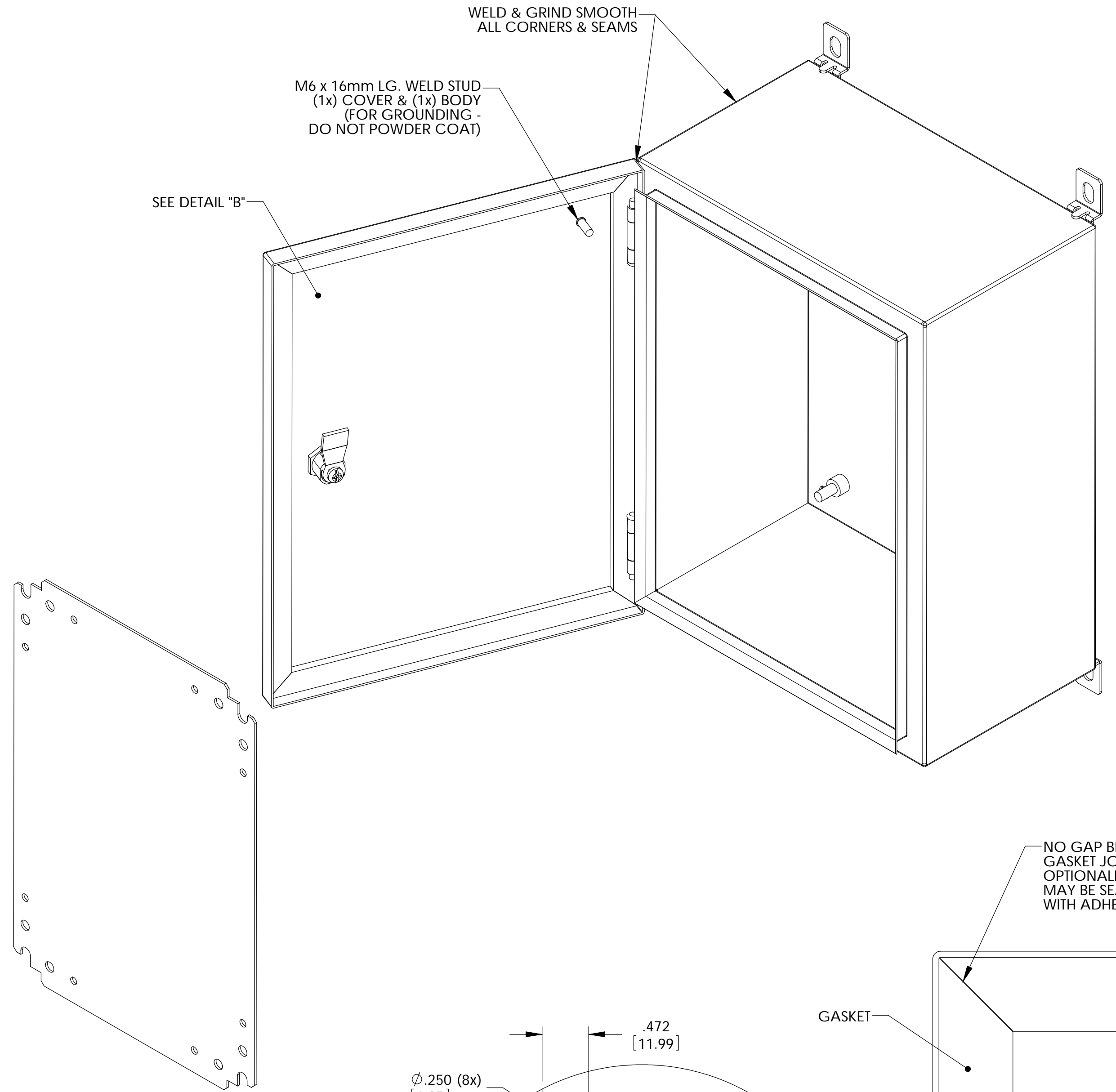
DWG. NO.	SNB-3736
ISSUE	REVISIONS
(A)	PER ECN #10446 1-13-09 BT



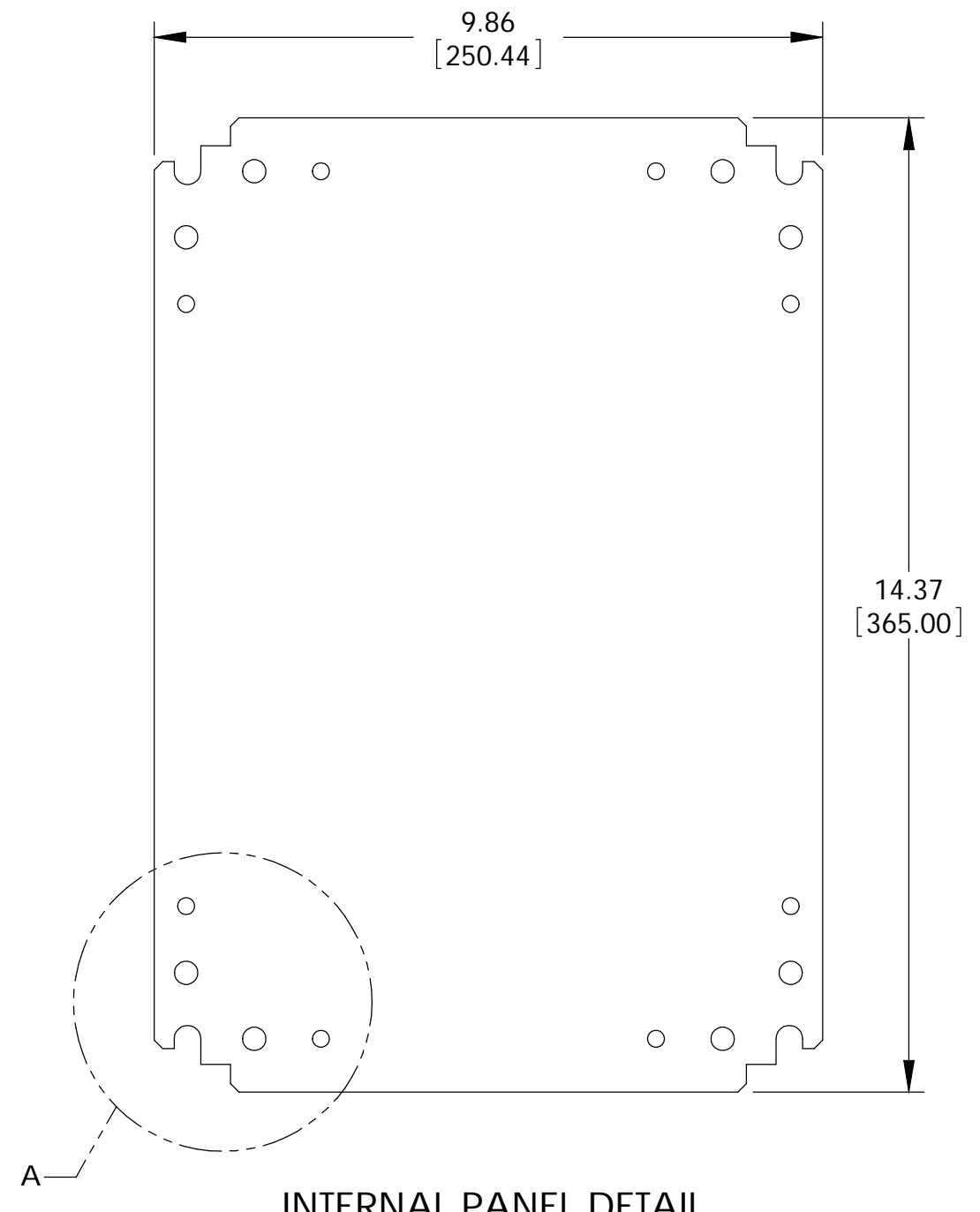
WALL MOUNTING BRACKET KIT TO CONTAIN THE FOLLOWING:
(4) BRACKETS, (4) BOLTS, (4) SEALING WASHERS, (4) FLAT WASHERS, (4) LOCKWASHERS & (4) HEX NUTS

QUARTER-TURN KEYED LATCH

.437 [11.10] x .687 [17.45] OBLONG EACH BRACKET

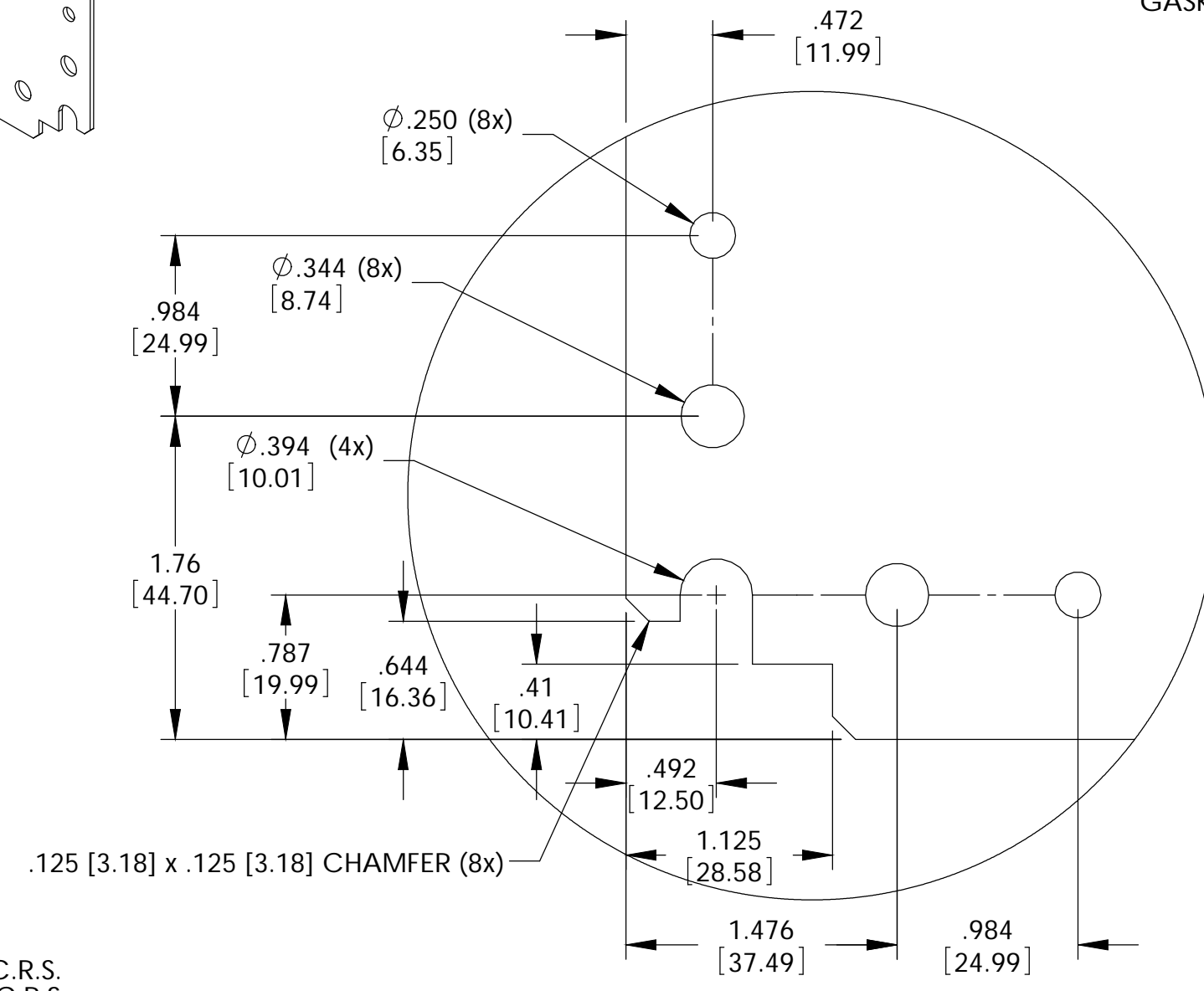


M8 x 16mm LG. WELD STUD/STANDOFF (4x) (FLAT WASHER, LOCKWASHER & HEX NUT FOR INTERNAL PANEL MOUNTING)

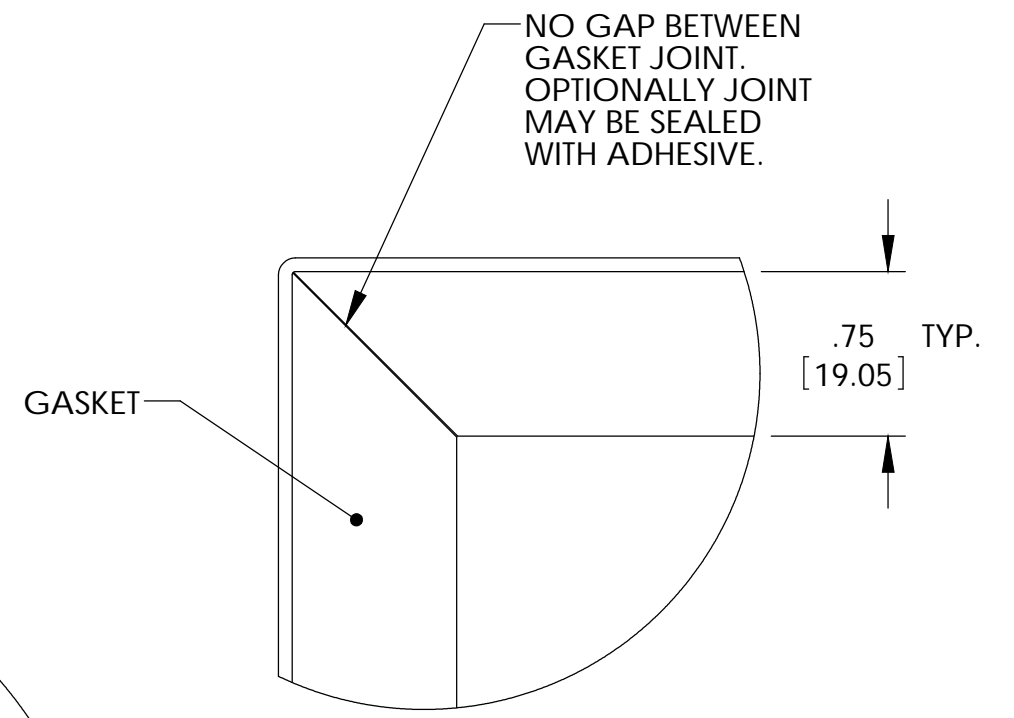


INTERNAL PANEL DETAIL

FRONT VIEW (LESS COVER)



DETAIL A SCALE 2 : 1.75



DETAIL B SCALE 2 : 1.75

MATERIAL:
BODY & COVER - 16 GA. [1.5mm] C.R.S.
INTERNAL PANEL - 14 GA. [2.0mm] C.R.S.
WALL MOUNTING BRACKETS - 14 GA. [2.0mm] STAINLESS STEEL
HINGE PINS, STRIKER & HARDWARE - STAINLESS STEEL
GASKET - .25 [6.35] THICK NEOPRENE (BLACK) OR EQUIVALENT
SEALING WASHERS - BLACK NEOPRENE OR EQUIVALENT

FINISH:
BODY & COVER - LIGHT GRAY SMOOTH POWDER COAT
INTERNAL PANEL - ZINC CHROMATE
WALL MOUNTING BRACKETS, HINGE PINS, STRIKER - NATURAL

UNLESS OTHERWISE SPECIFIED ALL DIMENSIONS ARE IN INCHES (MILLIMETERS)		CAD GENERATED DRAWING DO NOT MANUALLY UPDATE	
TOLERANCES - DECIMALS	XXX ±.03	APPROVALS	DATE
TOLERANCES - FRACTIONS	XXX 1/16	DAB	9-21-07
MATERIAL	AS NOTED	CHECKED	
FINISH	AS NOTED	APPROVED	
QTY.	USED ON	DO NOT SCALE DRAWING	

PARTS LIST			
BUD INDUSTRIES INC.			
NEMA SHEET METAL BOX			
SIZE [DWG. NO.]	SNB-3736	REV.	
SCALE [CAD FILE]			